

STEERING WHEEL

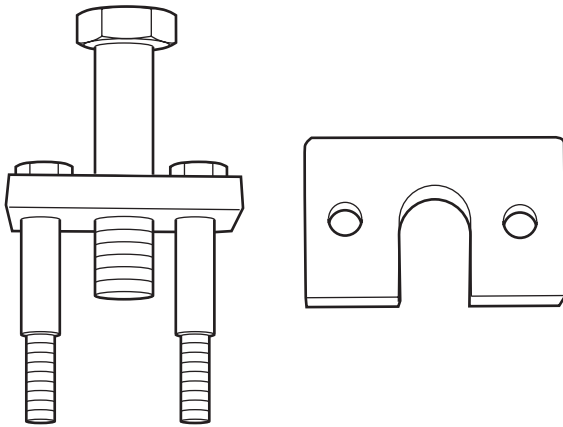
Description

The steering wheel assembly consists of two parts, the steering wheel and the steering wheel cover.

Operation

Splines on the steering wheel mounting hole match to splines on the steering shaft. These splines force the wheel and shaft to turn as a unit, thereby transmitting turning force to the steering gear.

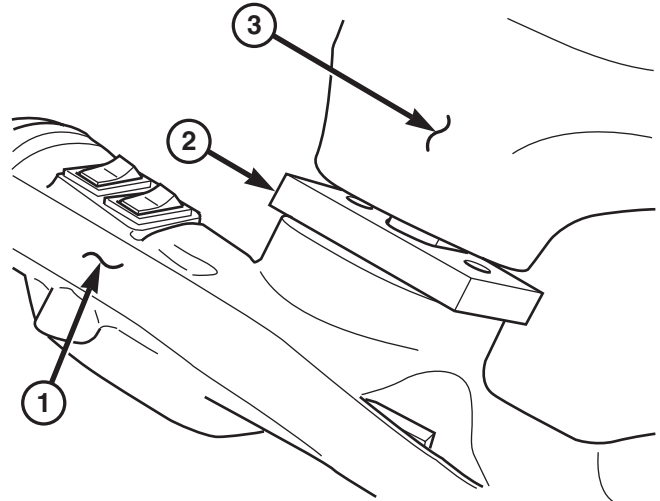
Removal



0037

Figure 7 - Steering Wheel Puller

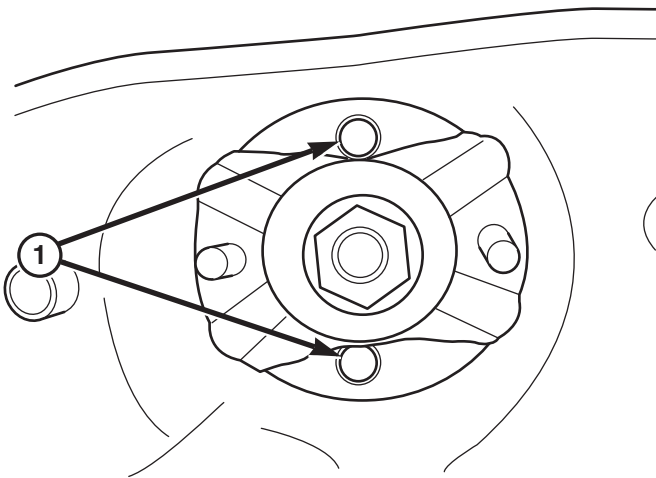
1. Remove the mounting screws located on the underside of each side spoke of the steering wheel.
2. Remove steering wheel cover.
3. Remove attaching nut and washer from steering shaft.
4. Mark steering wheel and steering shaft end for reference when re-installing.
5. Remove the steering shaft/ rack and pinion attachment bolt.
6. Pull steering wheel away from the instrument panel as far as possible.
7. Separate the two halves of the puller.
8. Slide the U-shaped piece of the puller around the steering shaft, behind the steering wheel. (Figure 8)



0038

Figure 8 - Puller U-Plate Placement

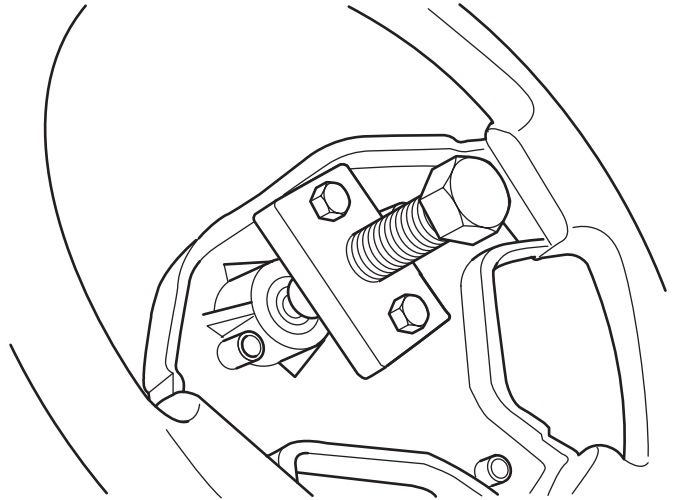
1. Instrument pod
2. U-plate
3. Steering wheel
9. Place the two small bolts through the upper plate of the puller. From the upper side of the steering wheel, run the two bolts through the steering wheel (Figure 9) and thread them into the U-shaped plate. Thread them in far enough to go through the U-shaped plate. (Figure 10)
10. Use appropriate wrench to turn the large bolt down against the threaded end of the steering shaft.
11. Tighten large bolt on puller until the steering wheel comes loose.
12. Remove Steering wheel.



0039

Figure 9 - Steering Wheel Holes For Puller

1. Guide holes



0040

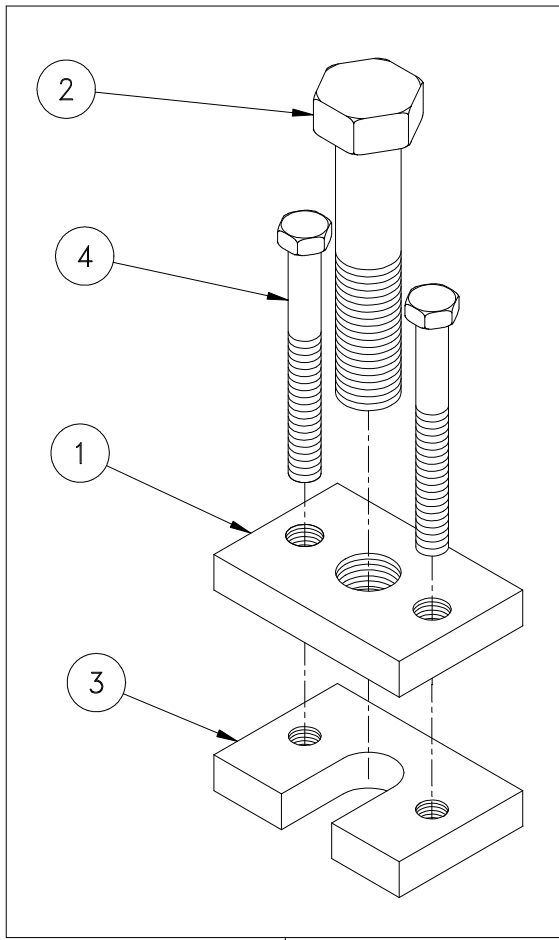
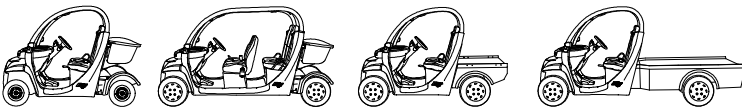
Figure 10 - Wheel Puller Installed

Installation

1. Using reference marks, align steering wheel to steering shaft and place on shaft.
2. Replace washer and attaching nut on end of shaft and tighten to press wheel completely on splines.
Back off nut and re-tighten to 225 inch-pounds.
3. Replace steering wheel cover and attach with mounting screws.

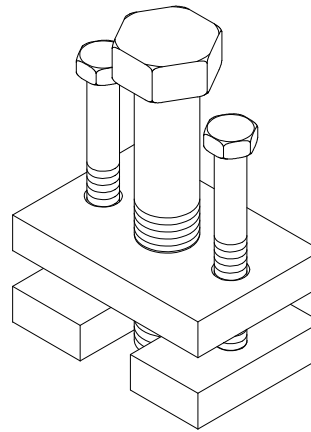
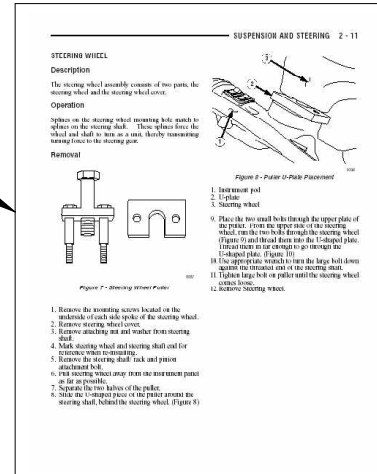
TORQUE SPECIFICATIONS

DESCRIPTION	THREAD SIZE	Use Loctite® 242	INCH-POUNDS	FOOT-POUNDS
Steering Wheel to Steering Shaft		NO	225	---



0115-00861

5



ASSEMBLED VIEW

0115-00861 ASSY, STEERING WHEEL PULLER

ITEM	PART NO.	DESCRIPTION
1	0315-00112	PLATE, STEERING WHEEL PULLER
2	0315-00113	BOLT, STEERING WHEEL PULLER
3	0315-00134	PLATE, STEERING WHEEL PULLER
4	0522-00346	BOLT, 3/8 - 16 UNC X 3-1/4 HEX HEAD GENERIC ZINC PLATED
5	1015-00079	INSTRUCTIONS, STEERING WHEEL REMOVAL TOOL

QTY.
1
1
1
2
1