



INSTRUCTIONS

Product: GEM Electric Motorcars

Models: All

Subject: Instructions for Replacing the 3 Amp. Fuse With A 5 Amp. Fuse.

Effected V.I.N. Range: 017882 - 019068

Estimated Completion Time: .085 HR.

Parts: See Page # 4

TSB #: SB 22A3007

REQUIRED TOOLS & SUPPLIES:

- | | |
|--------------------------|------------------------|
| (1) Flat Screwdriver | (1) Fuse Puller |
| (1) Phillips Screwdriver | (1) Needle Nose Pliers |

The following instructions are for replacing the 3 Amp horn fuse with a 5 Amp fuse for vehicles that are within the specified V.I.N. range.

To replace the horn fuse, proceed as follows.

WARNING!

To prevent personal injury or property damage: Switch the 72-volt Master Disconnect to "OFF", be sure the ignition switch is always in the "OFF" position and that the "KEY" is removed. Set the parking brake before servicing, adjusting, or repairing.

WARNING!

HIGH VOLTAGE

You could be seriously or fatally injured by electric shock if you attempt to open, repair, test, inspect or adjust. Only qualified technicians should open and service. Consult service manual.



1. Remove bench seat cushion (rear bench seat cushion for 4 passenger vehicles) to access the Master Disconnect switch. Switch master disconnect off. (See Fig. # 1)

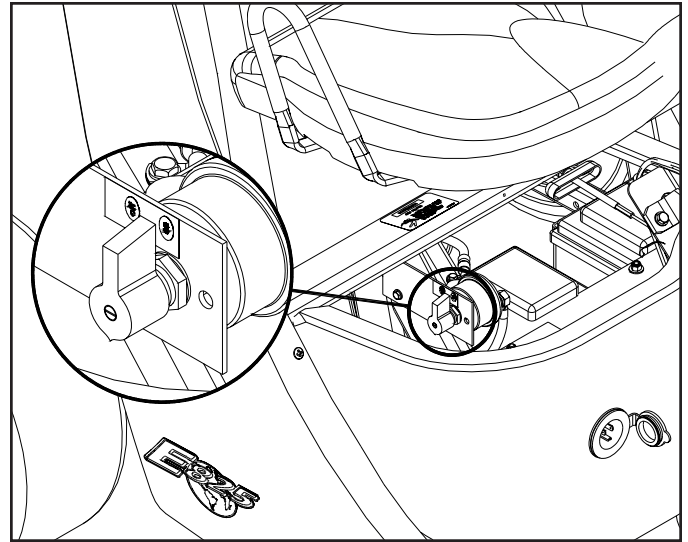


Fig. # 1 Switch master disconnect off

SERVICE PROCEDURE:

OPENING THE HOOD

1. Remove the Qty. two (2) 1" Dia. Hood Knobs securing the hood. (See Fig # 2).

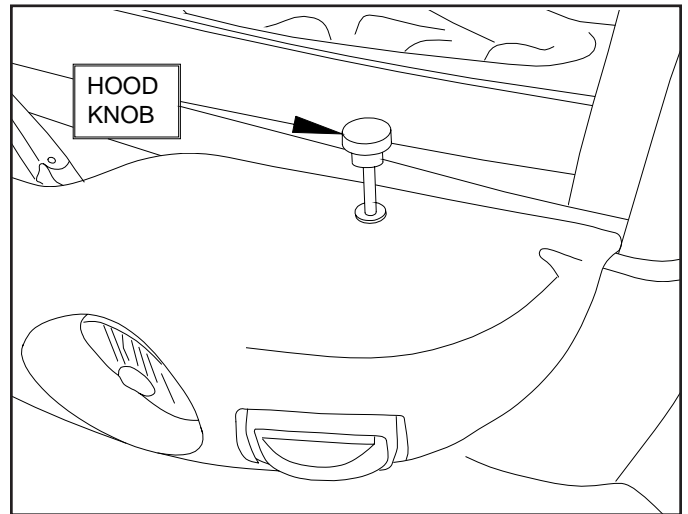


Fig. # 2 Loosen and remove hood knobs

2. Newer models only require for the latch to be unclaspd. (See Fig # 3).

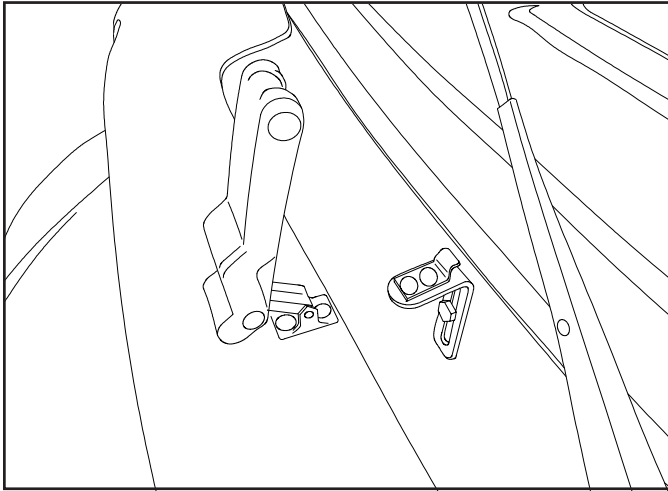


Fig. # 3 unclasp latch

3. Open the hood.

EXPOSE FUSE BLOCK & REPLACE FUSE

1. Locate rubber splashguard on passenger side cross member. Remove rivet at bottom of splashguard with a flat screwdriver, pulling out center portion of rivet. Lift splashguard to expose fuse block.

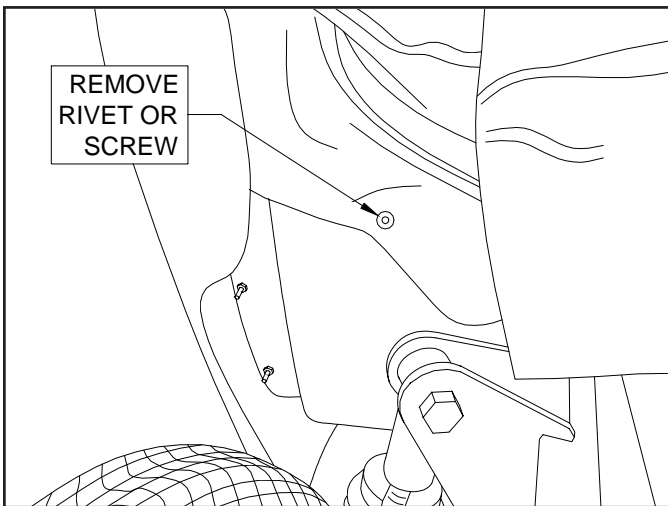


Fig. # 4 Remove fastener & lift splashguard to expose fuse block

2. Locate the horn fuse (Horn fuse is # 3, See Fig. # 5).

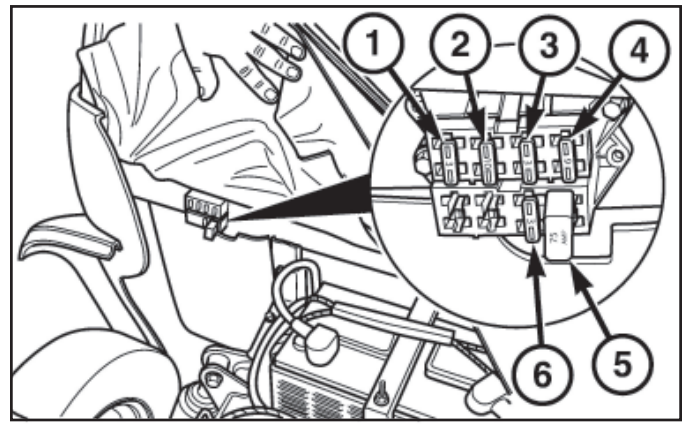
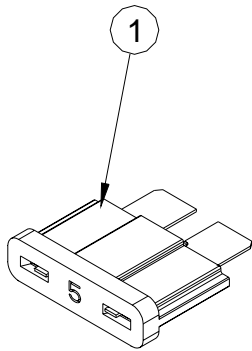


Fig. # 5 Remove the # 3 fuse and replace with a 5 Amp. fuse


- | | |
|----------------------|---------------------------|
| 1. Turn signal 3AATC | 4. Brake 5AATC |
| 2. Headlights 10AATC | 5. Accessory plug 7.5AATC |
| 3. Horn 5AATC | 6. Window Wiper 3AATC |

3. Use fuse puller to remove the 3 Amp. horn fuse.
4. Replace with a 5 Amp. fuse.
5. Secure splashguard with existing rivet or screw.
6. Close hood.
7. Turn master disconnect switch to the "ON" position.

PARTS



2



Global Electric Motorcars, LLC
A DaimlerChrysler Company

INSTRUCTIONS

Product: GEM Electric Motorcars
Models: All
Subject: Instructions for Replacing the 3 Amp. Fuse With A 5 Amp. Fuse.
Effected V.I.N. Range: - 019068
Parts: See Page # 4

REQUIRED TOOLS & SUPPLIES:

| | |
|--------------------------|-----------------|
| (1) Flat Screwdriver | (1) Fuse Puller |
| (1) Phillips Screwdriver | |

The following instructions are for replacing the 3 Amp horn fuse with a 5 Amp fuse for vehicles that are within the specified V.I.N. range.
 To replace the horn fuse, proceed as follows.

1. Remove bench seat cushion (rear bench seat cushion for 4 passenger vehicles) to access the Master Disconnect switch. Switch master disconnect off. (See Fig. # 1)

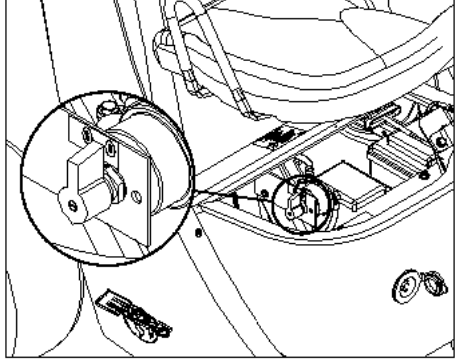


Fig. # 1 Switch master disconnect off

SERVICE PROCEDURE:

OPENING THE HOOD

1. Remove the Qty. two (2) 1" Dia. Hood Knobs securing the hood. (See Fig # 2).

0111-00717 - ASSY, SERVICE KIT - HORN FUSE REPLACEMENT

| ITEM | PART NO. | DESCRIPTION | QTY. |
|------|------------|------------------------------------|------|
| 1 | 0606-00293 | FUSE, HEATER BLOWER - ATC-5 | 1 |
| 2 | 1010-00061 | INSTRUCTION, HORN FUSE REPLACEMENT | 1 |

COMPLETION REPORTING AND REIMBURSEMENT

Claims for vehicles which have been serviced must be filed in the warranty claims section of GEM Connect for reimbursement.

| <u>LABOR DESCRIPTION</u> | <u>LABOR OPERATION NUMBER</u> | <u>TIME ALLOWANCE</u> |
|--------------------------|-------------------------------|-----------------------|
| Horn Fuse Replacement. | ELE-02-210 | .085 Hours |

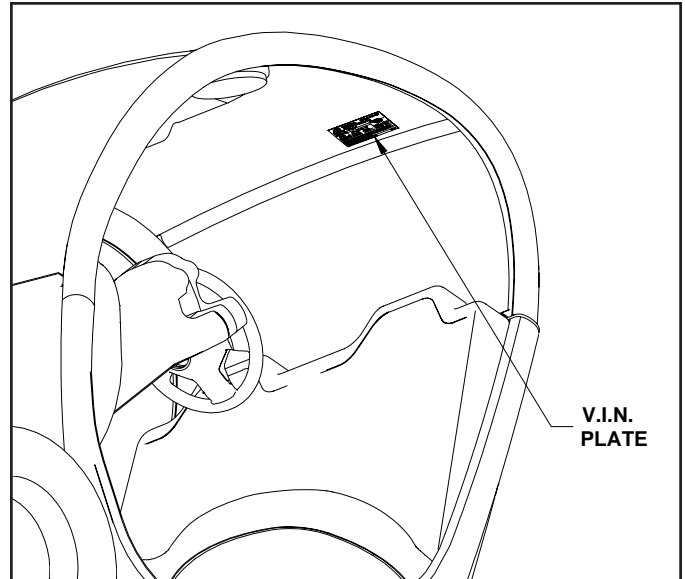


Fig. # 6 V.I.N. plate location

ADDITIONAL INFORMATION

If you have any questions or need assistance in completing this action, please contact GEM Technical Support at 866.764.0616

Remember to record the last six digits of your Vehicle Identification Number (V.I.N.) in the space provided below before calling. Use (Fig. # 6 & 7) to locate the V.I.N. plate. Also the V.I.N. will be used when claiming warranty on GEM Connect.

V.I.N. _____


| | | | | | |
|---|--|--|--|---|--|
|  | | MANUFACTURED BY: U.S. Patent No. Des. 419,107 Global Electric Motorcars, LLC. <small>Web: www.gemcar.com</small> | | DATE OF MFG: 1/15/01 | |
| GAWR <small>Front 468KG (1,023 LBS)</small> <small>Rear 468KG (1,077 LBS)</small> | | TIRE - DIMENSION - RIM <small>165/70R-12 T12x4J</small> <small>165/70R-12 T12x4J</small> | | COLD INFLATION PRESSURE <small>207KPA (30PSI) SGL/DUAL SINGLE</small> <small>207KPA (30PSI) SINGLE</small> | |
| <small>THIS VEHICLE CONFORMS TO ALL APPLICABLE U.S. FEDERAL MOTOR SAFETY, BUMPER, AND THEFT PREVENTION STANDARDS (FMVSS) IN EFFECT ON THE DATE OF MANUFACTURE SHOWN A</small> | | | | | |
| V.I.N. XXXXXXXXXXXXXXX XXXX | | | | | |
| TYPE OF VEHICLE: _____ | | | | U.S. VIN _____ | |
| | | | | LAST SIX NUMBERS OF V.I.N. | |

Fig. # 7 V.I.N. use last six numbers



Global Electric Motorcars, LLC

A DaimlerChrysler Company

Toll Free: 866.764.0616
 Fax: 701.232.9528
 e-mail: service@gemcar.com
 Web Site: www.gemcar.com